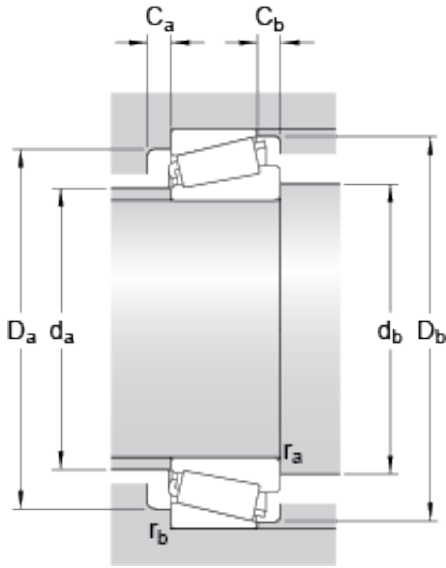




China abec 5 Bearing Supplier



33012 Bearing 2D drawings and 3D CAD models

SKF Bearing Succedaneum 33012 Tapered Roller Bearing

Bearing No. 33012

Dimension series	2CE
d	60 mm
D	95 mm
T	27 mm
d ₁	77.2 mm
B	27 mm
C	21 mm
r _{1,2} min.	1.5 mm
r _{3,4} min.	1.5 mm
a	19.91 mm
d _a max.	67 mm
d _b min.	69 mm
D _a min.	85 mm
D _a max.	87 mm
D _b min.	90 mm
C _a min.	5 mm
C _b min.	6 mm
r _a max.	1.5 mm
r _b max.	1.5 mm
Basic dynamic load rating C	113 kN
Basic static load rating C ₀	143 kN
Fatigue load limit P _u	16 kN
Reference speed	5300 r/min
Limiting speed	6700 r/min
Calculation factor e	0.33



China abec 5 Bearing Supplier

Calculation factor Y	1.8
Calculation factor Y_0	1
Mass bearing	0.7 kg