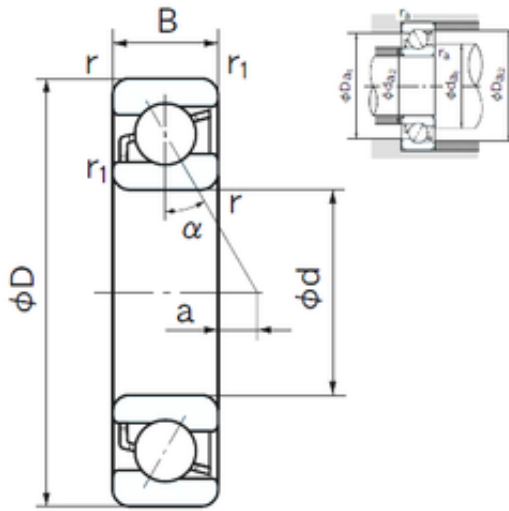




China abec 5 Bearing Supplier



NACHI 7002 7002CYDU/GL angular contact ball bearing with high precision

Bearing No. 7002

7002 Bearing 2D drawings and 3D CAD models

Size	15x32x9 mm
Bore Diameter	15 mm
Outer Diameter	32 mm
Width	9 mm
d	15 mm
D	32 mm
B	9 mm
C	9 mm
Angle (°)	30 °
a	2.3 mm
r min.	0.3 mm
r1 min.	0.15 mm
da min.	17 mm
Da max.	30 mm
ra max.	0.3 mm
Weight	0.035 Kg
Basic dynamic load rating (C)	6,15 kN
Basic static load rating (C0)	3,4 kN
(Grease) Lubrication Speed	18000 r/min
Configuration	Single Row
Enclosure	Open
Bore Type	Cylindrical Bore
Bore Size	15 mm
Outside Diameter	32 mm
Width	9 mm



China abec 5 Bearing Supplier

Fillet Radius/Chamfer	0.3 mm
r1	0.2 mm
Dynamic Load Rating	6,150 N
Static Load Rating	3,400 N
Limiting Speed - Grease	18,000 rpm
Limiting Speed - Oil	24,000 rpm
da1 (min)	17 mm
da2 (min)	17 mm
Da1 (max)	30 mm
Da2 (max)	31 mm
ra (max)	0.3 mm
ra1 (max)	0.2 mm